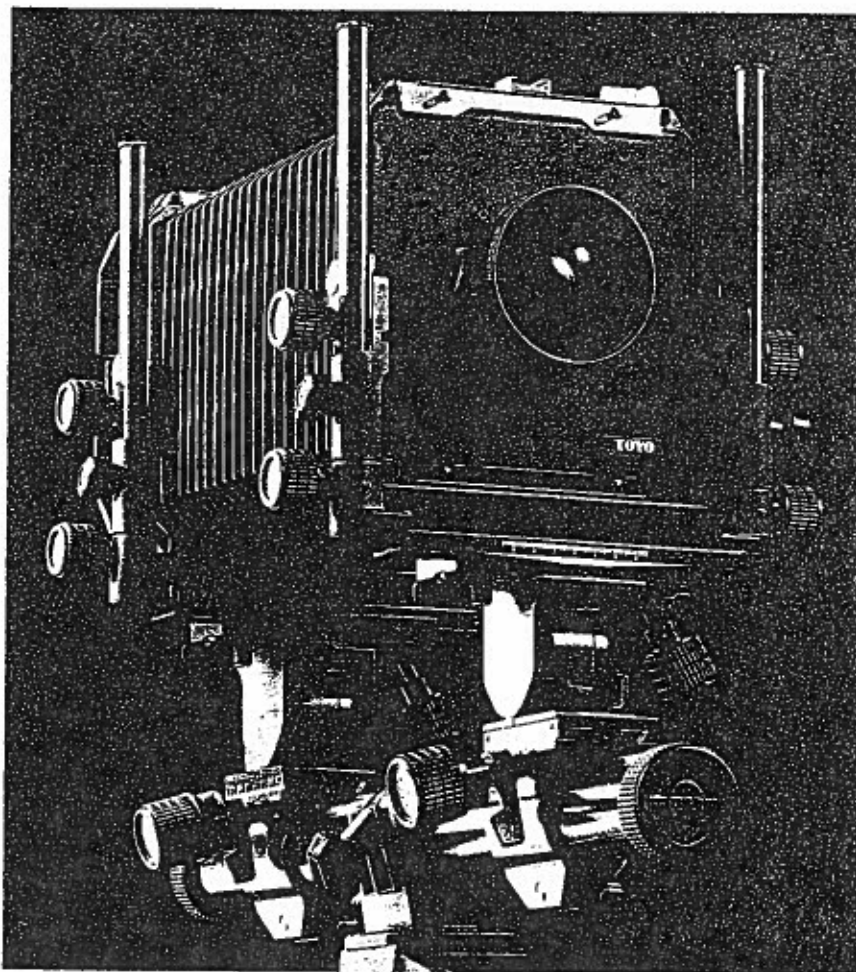




TOYO-VIEW 45GX

PARTS LIST



E.X.O.F.

THE HISTORY OF THE UNITED STATES

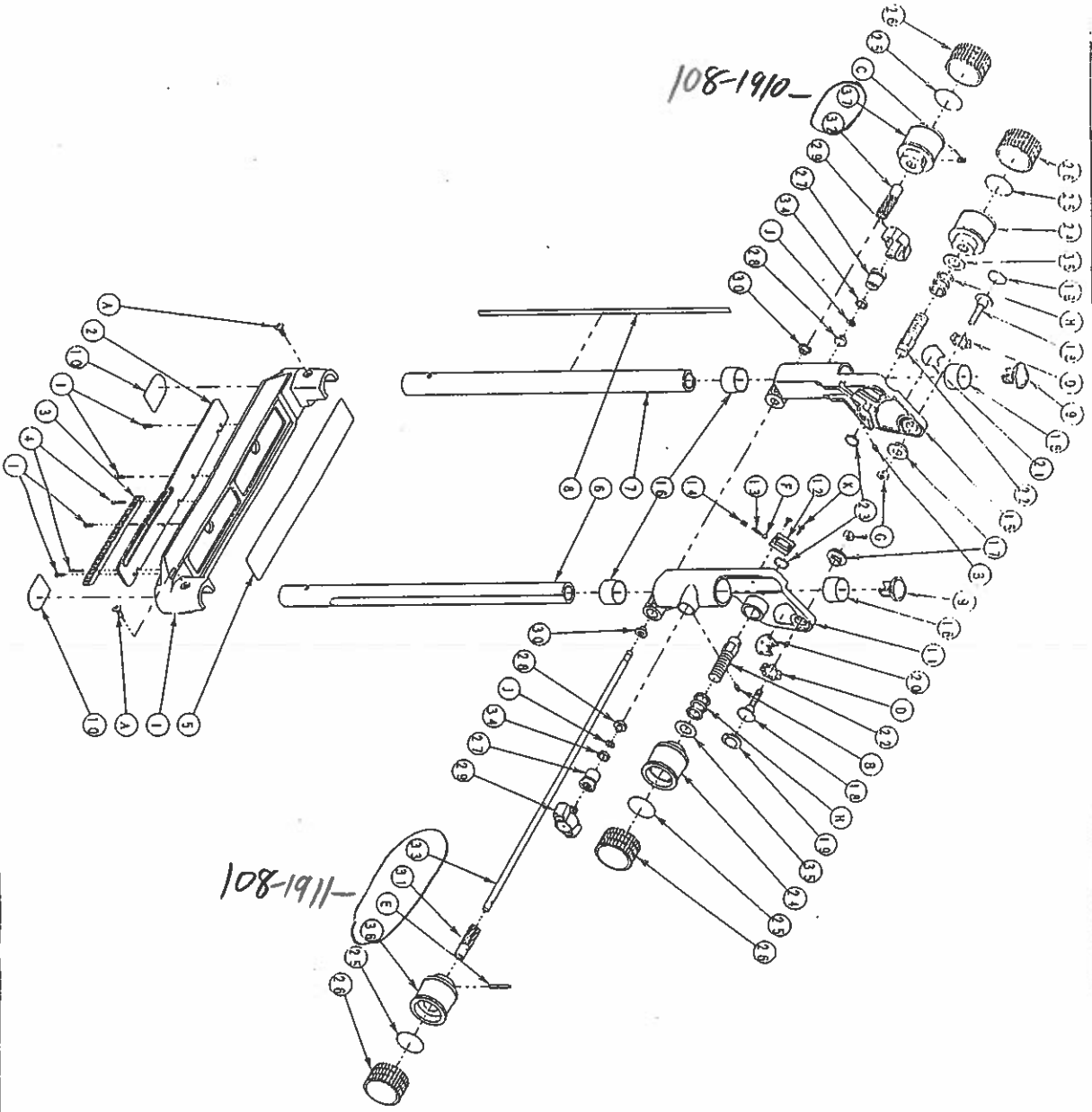
Year	Event
1776	Declaration of Independence
1787	Constitution signed
1862	Emancipation Proclamation
1865	End of Civil War
1898	Spanish-American War
1914	World War I begins
1945	World War II ends
1954	Desegregation of schools
1963	John F. Kennedy assassinated
1968	Richard Nixon becomes president
1973	Watergate scandal
1981	Iranian Revolution
1989	End of Cold War
1991	Soviet Union collapses
1993	World Trade Center attacks
2001	9/11 attacks
2008	Financial crisis
2009	Obama becomes president
2013	Arab Spring
2014	Russians invade Ukraine
2016	Trump becomes president
2020	COVID-19 pandemic
2021	January 6th riots
2022	Russia invades Ukraine
2023	AI revolution

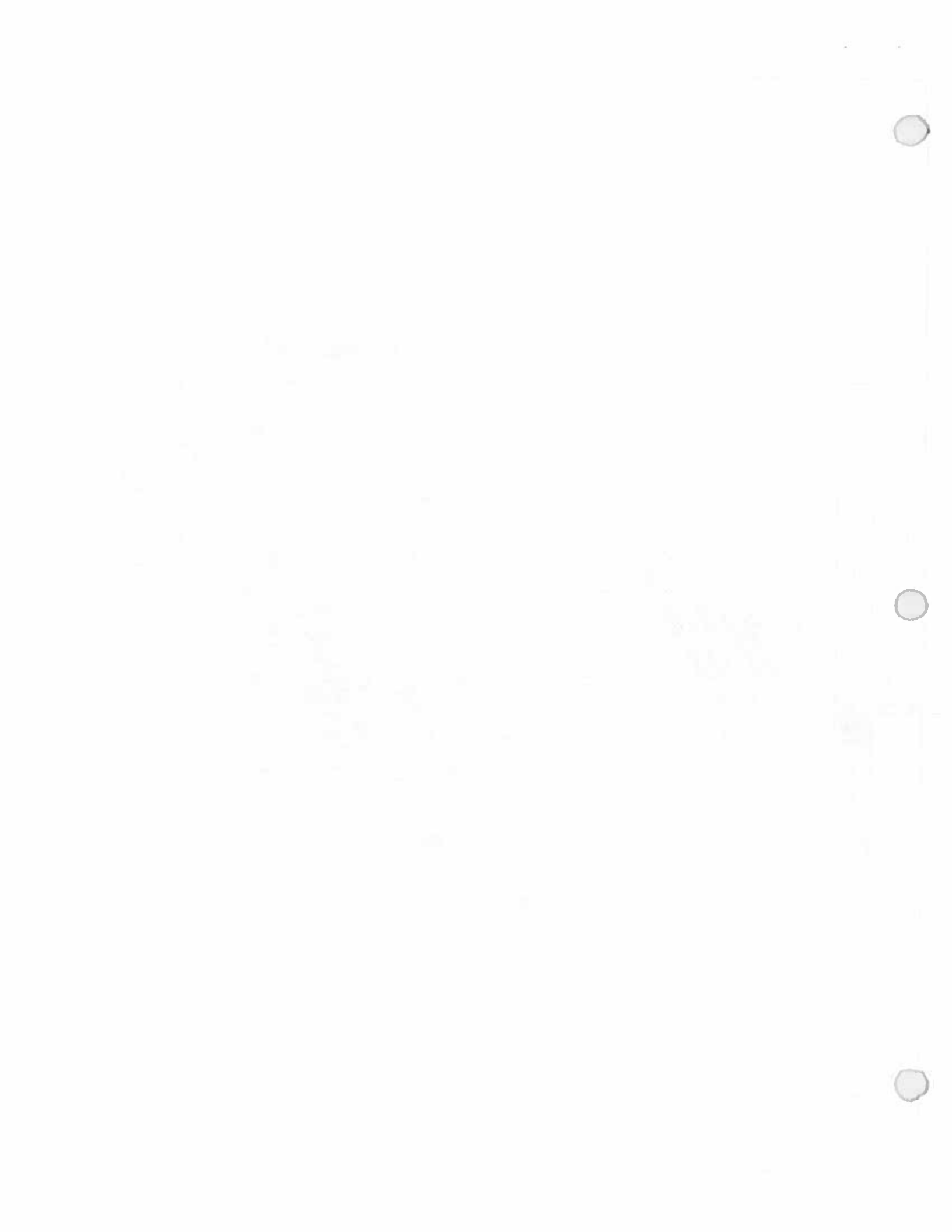
The history of the United States is a long and complex one, filled with many important events and figures. From the founding of the nation to the present day, the United States has played a major role in world history. The country has been a leader in many areas, including science, technology, and culture. It has also been a major power in the world, and has helped to shape the modern world as we know it. The history of the United States is a story of progress, struggle, and achievement. It is a story that continues to inspire and influence people around the world.



* ARM (FRONT)

E	...	一般仕上	...	品名	7-△前
D	...	一般積込	...	仕様	93.11.10
C	数量	1
B	図番	108-1910
A	製	山





No.108 TV45GX parts list

* FOCUS BASE(FRONT)

NO.1	108-0001	REFERENCE SCALE A,TILTING
2	108-0002	COVER A,TILTING
3	108-0003	BOLT,TILTING
4	108-0004	SPRING,CLICKING
5	108-0005	BASE, SWINGING(FRONT)
6	108-0006	PLATE, TILTING
7	108-0007	PLATE-LOCK, TILTING
8	108-0008	PLATE, CLICKING
9	108-0009	HOLDER, CLICKING
10	108-0011	HOLDER, CLICK BALL
11	108-0012	STUD, TILTING
12	108-0013	STUD BUSH, TILTING
13	108-0014	BASE, TILTING(FRONT)
14	108-0015	REFERENCE SCALE, SWINGING
15	108-0016	COVER, TILT-LOCK
16	108-0017	SCREW,TILT-LOCK
17	108-0018	LEVER, TILT LOCK
18	108-0019	TILT 0 MARK
19	108-0020	TOYO MARK PLATE(FRONT)
20	108-0021	LOCK LEVER, MICROFOCUSING
21	108-0022	BASE, FOCUSING(FRONT STANDARD)
22	108-0028	RUBBER RING FOR KNOB LOCK
23	108-0029	KNOB-LOCK II, FOCUSING
24	108-0031	KNOB-LOCK II, SHIFTING
25	108-0032	RUBBER RING, KNOB LOCK
26	80-D0004	LEVER-LOCK, FAST FOCUSING
27	80-D0005	PINION, MICROFOCUSING
28	80-D0006	PINION COLLAR, MICROFOCUSING
29	80-D0007	LOCK, MICROFOCUSING
30	80-D0010	NUT, PINION COLLAR
31	80-D0014	SET SCREW(SPECIAL)
32	80-D0017	SHIM, FOCUS BASE
33	80-D0018	STUD, CENTER PIVOTING
34	80-D0020	RING, SWINGING
35	80-D0021	PLATE-LOCK, SWINGING(FRONT STANDARD)
36	80-D0022	SCREW-MACHINE(SPECIAL)
37	80-B0023	BASE, SHIFTING(FRONT STANDARD)
38	80-D0026	SHIM, SHIFTING
39	80-D0027	SCREW, STUD, CENTER PIVOTING
40	80-D0028	REFERENCE SCALE, SHIFTING
41	80-D0029	BOLT-LOCK, SWINGING —
42	80-D0032	BOLT-LOCK, SWING LEVER
43	80-D0033	CASE, SWING CLICK
44	80-D0035	BOLT-LOCK, SHIFTING —
45	80-D0036	SPACER, SHIFT-LOCK
46	80-D0037	PIN, SHIFT LOCKING
47	80-D0038	WASHER, SHIFT-LOCK
48	80-D0065	LEVER PIN
49	80-D0066	LEVER PIN COVER
50	80-D0067	PINION WASHER, MICROFOCUSING
51	80-D0068	BOLT-LOCK II, SLIDING
52	80-D0069	RUBBER RING, MICROBRAKE
53	80-D0070	WASHER, PINION COLLAR
54	80-D0071	SET SCREW A, SHIM
55	80-D0072	SET SCREW B, SHIM
56	80-D0073	SPRING COIL, TILTING
57	80-D0074	PRESS SCREW, SPRING CLICKING

THE
FEDERAL
BUREAU OF
INVESTIGATION
OF THE
DEPARTMENT OF JUSTICE
WASHINGTON, D. C. 20535

MEMORANDUM FOR THE DIRECTOR, FBI

SUBJECT: [Illegible]

[Illegible text follows, including a header section with fields for TO, FROM, SUBJECT, and DATE, and a main body of text that is mostly unreadable due to fading.]



No.108 TV45GX parts list

* FOCUS BASE(FRONT)

NO.58	80-D0075	PINION, SHIFTING(FRONT STANDARD)
59	80-D0080	LEVER-LOCK II, SWINGING
60	80-D0081	LEVER-LOCK II, SHIFTING
61	80-D0082	CAP, SLIDE BRAKE LEVER
62	83-D0002	RESIN B, SLIDE
63	83-D0003	MARK CENTER, MICROFOCUSING
64	83-C0005	RACK B, MICROFOCUSING
65	83-D0006	REFERENCE SCALE B, MICROFOCUSING
66	83-D0007	PINION COLLAR B, SHIFTING
67	83-D0008	WEDGE B
68	114-0002	CAP 19
69	114-0003	CAP 26.5
70	16-D0018	ARM BRAKE PLATE B
A	B1-20006FA	SCREW MACHINE
B	B1-40008FA	SCREW MACHINE
C	B2-30012FA	SCREW MACHINE
D	A1-26004FD3	SCREW MACHINE
E	A2-26005FD1	SCREW MACHINE
F	A2-26007FA3	SCREW MACHINE
G	E5-30008FQ	ALLEN HD. BOLT
H	E5-40006FQ	ALLEN HD. BOLT
I	P3-04000FAL	WASHER FLAT
J	P3-08000FAL	WASHER FLAT
K	P4-081516FA	WASHER FLAT
L	P4-P04005MX	WASHER FLAT, POLY-SLIDER
M	P4-P04005MX	WASHER FLAT, POLY-SLIDER
N	P5-04000FP	WASHER WAVE
O	P5-08000FP	WASHER WAVE
P	U3-03000FX1	METAL BALL
Q	B5-20005FD	SCREW MACHINE
R	K1-30025FD1	ALLEN HD. BOLT
S	Q6-03008FG4	PIN



No.108 TV45GX parts list

* ARM (FRONT)

No.1	80-B0101	ARM BASE(FRONT)
2	80-C0102	BRAKE PLATE, SHIFTING(FRONT)
3	80-D0103	RACK, SHIFTING (FRONT)
4	80-D0104	RACK BOLT, SHIFTING
5	80-D0164	COVER, ARM BASE
6	83-C0101	POST B, LEFT
7	83-C0102	POST B, RIGHT
8	108-1001	REFERENCE SCALE II, RISING
9	80-D0108	CAP, POST
10	80-D0109	BOTTOM CAP, POST
11	80-B0110	RISE ARM, LEFT
12	80-D0033	SWING CLICK CASE
13	80-D0073	SPRING COIL, TILTING
14	80-D0074	PRESS BOLT, CLICK SPRING
15	80-B0113	RISE ARM, RIGHT
16	80-D0114	BUSHING, RISE ARM
17	80-D0115	BUSHING, TILT SHAFT
18	80-D0116	TILT SHAFT
19	80-D0117	REFERENCE POINTER, TILTING
20	80-D0130	REFERENCE PLATE, TILTING(LEFT)
21	80-D0131	REFERENCE PLATE, TILTING(RIGHT)
22	80-D0118	TILT BRAKE SHAFT
23	80-D0119	TILT BRAKE COLLAR
24	108-1002	KNOB LOCK II, TILTING
25	114-0002	CAP, 19
26	108-1003	RUBBER RING
27	80-D0126	BUSHING, RISE BRAKE
28	80-D0128	RISE BRAKE SHOE
29	80-C0129	KNOB LOCK, RISING
30	80-D0133	PINION COLLAR
31	80-D0134	PINION, LEFT
32	80-D0135	PINION, RIGHT
33	80-C0136	PINION SHAFT
34	80-D0161	RUBBER RING
35	80-D0157	WASHER, KNOB LOCK, TILTING
36	108-1004	KNOB, RISE/FALL (LEFT)
37	108-1005	KNOB, RISE/FALL (RIGHT)
A	B3-30008FD	SCREW MACHINE
B	E5-30004FQ	ALLEN HD. BOLT
C	E5-40005FQ	ALLEN HD. BOLT
D	P5-08000FP	WAVE WASHER
E	Q5-20016FX1	SPRING PIN
F	U3-03000FX1	METAL BALL
G	N4-40000FP3	NUT
H	V2-08000LX1	O-RING
I	A2-26005FD1	SCREW MACHINE
J	P3-03000BA1	WASHER FLAT
K	B5-20005FD	SCREW MACHINE



Faint, illegible text, possibly bleed-through from the reverse side of the page. The text is arranged in several paragraphs and is mostly centered or left-aligned.





No.108 TV45GX parts list

* FOCUS BASE (REAR)

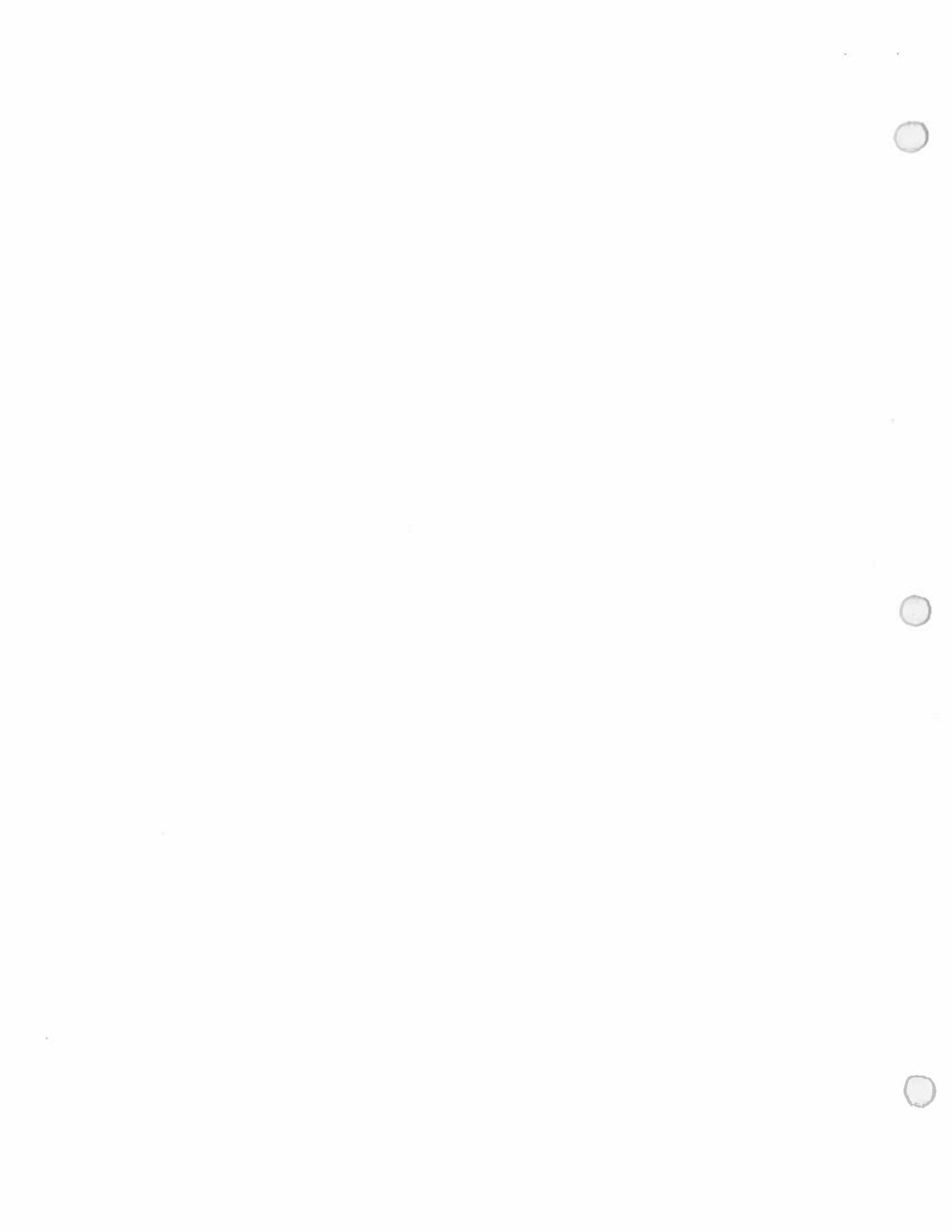
No.1	108-0101	REFERENCE SCALE B, TILTING
2	108-0102	COVER B, TILTING
3	108-0003	BOLT, TILTING
4	108-0004	SPRING, CLICKING
5	108-0105	BASE, SWINGING(REAR)
6	108-0006	PLATE, TILTING
7	108-0007	PLATE-LOCK, TILTING
8	108-0008	PLATE, CLICKING
9	108-0009	HOLDER, CLICKING
10	108-0011	HOLDER, CLICK BALL
11	108-0012	STUD, TILTING
12	108-0013	STUD BUSH, TILTING
13	108-0114	BASE, TILTING(REAR)
14	108-0015	REFERENCE SCALE, SWING
15	108-0016	COVER, TILT LOCK
16	108-0017	SCREW, TILT-LOCK
17	108-0018	LEVER, TILT-LOCK
18	108-0019	TILT 0 MARK
19	108-0120	TOYO MARK PLATE(REAR)
20	108-0021	LOCK LEVER, MICROFOCUSING
21	108-0133	BASE, FOCUSING(REAR STANDARD)
22	108-0028	RUBBER RING FOR KNOB LOCK
23	108-0129	KNOB, DEPTH OF FIELD CALCULATER
24	108-0031	KNOB LOCK II, SHIFTING
25	108-0032	RUBBER RING, KNOB-LOCK
26	108-0123	NUT, PINION COLLAR(REAR)
27	108-0124	SPRING STOPPER, DEPTH OF FIELD CALCULATER
28	108-0125	SPRING
29	108-0126	DEPTH OF FIELD CALCULATER 45
30	108-0127	SCALE COLLAR
31	80-D0004	LEVER-LOCK, FASTFOCUSING
32	80-D0005	PINION, MICROFOCUSING
33	80-D0006	PINION COLLAR, MICROFOCUSING
34	80-D0007	LOCK, MICROFOCUSING
35	80-D0014	SET SCREW(SPECIAL)
36	80-D0017	SHIM, FOCUS BASE
37	80-D0018	STUD, CENTER PIVOTING
38	80-D0020	RING, SWINGING
39	80-D0022	SCREW-MACHINE(SPECIAL)
40	80-D0026	SHIM, SHIFTING
41	80-D0027	SCREW, STUD, CENTER PIVOTING
42	80-D0028	REFERENCE SCALE, SHIFT
43	80-D0029	BOLT LOCK, SWINGING
44	80-D0032	BOLT LOCK, SWING LEVER
45	80-D0033	CASE, SWING CLICKING
46	80-D0035	BOLT LOCK, SHIFTING
47	80-D0036	SPACER, SHIFT LOCK
48	80-D0037	PIN, SHIFT LOCKING
49	80-D0038	WASHER, SHIFT LOCK
50	80-D0041	PINION, SHIFTING(REAR STANDARD)
51	80-D0047	PLATE-LOCK, SWINGING(REAR STANDARD)
52	80-B0049	BASE, SHIFTING(REAR STANDARD)
53	80-D0065	LEVER PIN
54	80-D0066	LEVER PIN COVER
55	80-D0067	PINION WASHER, MICROFOCUSING
56	80-D0068	BOLT-LOCK II, SLIDING
57	80-D0069	RUBBER RING, MICROBRAKE



No.108 TV45GX parts list

* FOCUS BASE (REAR)

No.58	80-D0070	WASHER, PINION COLLAR
59	80-D0071	SET SCREW A, SHIM
60	80-D0072	SET SCREW B, SHIM
61	80-D0073	SPRING COIL, TILTING
62	80-D0074	PRESS SCREW, SPRING CLICKING
63	80-D0080	LEVER-LOCK II, SWINGING
64	80-D0081	LEVER-LOCK II, SHIFTING
65	80-D0082	CAP, SLIDE BRAKE LEVER
66	83-D0002	RESIN B, SLIDE
67	83-D0003	MARK CENTER, MICROFOCUSING
68	83-C0005	RACK B, MICROFOCUSING
69	83-D0006	REFERENCE SCALE B, MICROFOCUSING
70	83-D0007	PINION COLLAR B, SHIFTING
71	83-D0008	WEDGE B
72	114-0002	CAP 19
73	114-0003	CAP 26.5
74	16-D0018	ARM BRAKE PLATE B
A	B1-20006FA	SCREW MACHINE
B	B1-40008FA	SCREW MACHINE
C	B2-30012FA	SCREW MACHINE
D	A1-26004FD3	SCREW MACHINE
E	A2-26005FD1	SCREW MACHINE
F	A2-26007FA3	SCREW MACHINE
G	E5-30008FQ	ALLEN HD. BOLT
H	E5-40005FQ	ALLEN HD. BOLT
I	E5-40006FQ	ALLEN HD. BOLT
J	P3-04000FA1	WASHER FLAT
K	P3-08000FA1	WASHER FLAT
L	P4-081516FA	WASHER FLAT
M	P4-P04025MX	WASHER FLAT, POLY-SLIDER
N	P4-P04005MX	WASHER FLAT, POLY-SLIDER
O	P4-P04005MX	WASHER FLAT, POLY-SLIDER
P	P5-04000FP	WASHER WAVE
Q	P5-08000FP	WASHER WAVE
R	U3-03000FX1	METAL BALL
S	B5-20005FD	SCREW MACHINE
T	K1-30025FD1	ALLEN HD. BOLT
U	Q6-03008FG4	PIN

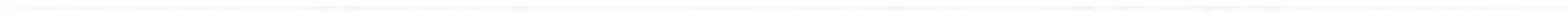


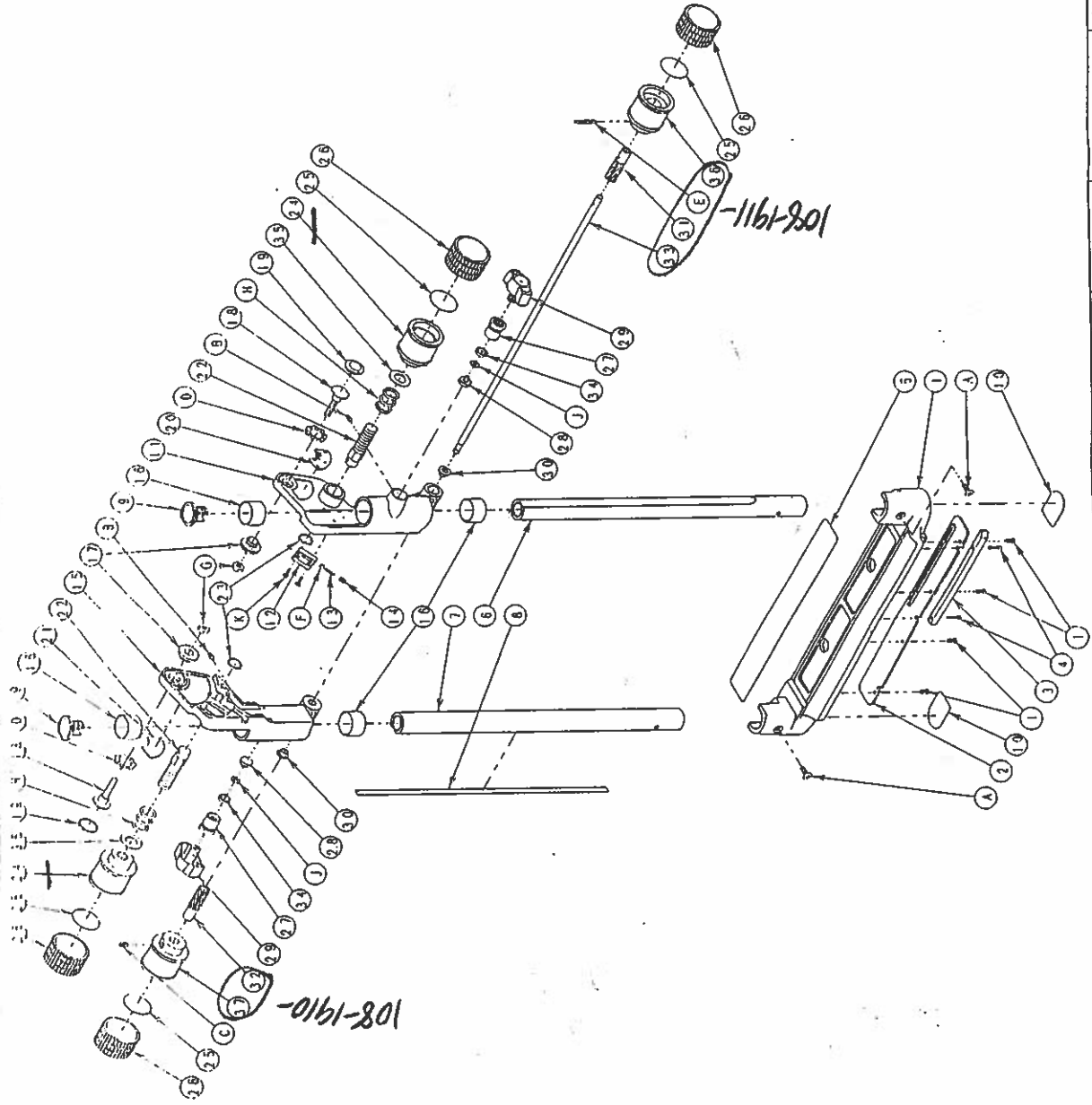
No.108 TV45GX parts list

* FRONT FRAME

No.1	80-B0201	SQUARE FRAME
2	80-D0202	FRAME COVER A
3	80-D0203	FRAME COVER B
4	80-D0211	PRESS BOARD SPRING
5	80-D0212	PRESS BOARD PIN
6	83-D0201	ACCESSORY SHOE B
7	83-D0202	GUIDE BUSHING GB
8	80-D0215	GUIDE BUSHING BOLT
9	83-D0203	COVER BOLT B
10	80-D0216	FRAME PROTECTION
11	80-C0218	PRESS BOARD II
12	80-D0204	TILT BRAKE BOARD (LEFT)
13	80-D0205	TILT BRAKE BOARD (RIGHT)
14	90-C0209	LEVEL
15	80-D0217	SCREW,LEVEL
16	80-D0207	TILT PIN
A	P4-030605FG	WASHER FLAT
B	S1-02400FP1	NUT, BUSHING
C	Q6-02006FG1	PIN
D	A2-26005FD1	SCREW MACHINE
E	A2-20005FD1	SCREW MACHINE

Faint, illegible text, possibly bleed-through from the reverse side of the page. The text is arranged in several lines and appears to be a list or a set of instructions, but the characters are too light to read accurately.





*ARM (REAR)

品名	7-△後
数量	1
重量	
尺数	IV45GX
材料	鋼
計	橋山
圖	108-11

No.108 TV45GX parts list

* ARM(REAR)

No.1	80-B0150	ARM BASE(REAR)
2	80-C0151	BRAKE PLATE, SHIFTING(REAR)
3	80-D0152	RACK, SHIFTING(REAR)
4	80-D0104	RACK BOLT, SHIFTING
5	80-D0164	COVER, ARM BASE
6	83-C0101	POST B, LEFT
7	83-C0102	POST B, RIGHT
8	108-1001	REFERENCE SCALE II, RISING
9	80-D0108	CAP, POST
10	80-D0109	BOTTOM CAP, POST
11	80-B0110	RISE ARM, LEFT
12	114-1101	TILT CLICK CASE, REAR
13	80-D0073	SPRING COIL, TILTING
14	80-D0074	PRESS BOLT, CLICK SPRING
15	80-B0113	RISE ARM, RIGHT
16	80-D0114	BUSHING, RISE ARM
17	80-D0115	BUSHING, TILT SHAFT
18	80-D0116	TILT SHAFT
19	80-D0117	REFERENCE POINTER, TILTING
20	80-D0130	REFERENCE PLATE, TILTING(LEFT)
21	80-D0131	REFERENCE PLATE, TILTING(RIGHT)
22	80-D0118	TILT BRAKE SHAFT
23	80-D0119	TILT BRAKE COLLAR
24	108-1002	KNOB LOCK II, TILTING
25	114-0002	CAP, 19
26	108-1003	RUBBER RING
27	80-D0124	BUSHING, RISE BRAKE
28	80-D0128	RISE BRAKE SHOE
29	80-C0129	KNOB LOCK, RISING
30	80-D0133	PINION COLLAR
31	80-D0134	PINION, LEFT
32	80-D0135	PINION, RIGHT
33	80-D0136	PINION SHAFT
34	80-D0161	RUBBER RING
35	80-D0157	WASHER, KNOB LOCK, TILTING
36	108-1004	KNOB, RISE/FALL (LEFT)
37	108-1005	KNOB, RISE/FALL (RIGHT)
A	B3-30008FD	SCREW MACHINE
B	E5-30004FQ	ALLEN HD. BOLT
C	E5-40005FQ	ALLEN HD. BOLT
D	P5-08000FP	WAVE WASHER
E	Q5-20016FX1	SPRING PIN
F	U3-03000FX1	METAL BALL
G	N4-40000FP3	NUT
H	V2-08000LX1	O-RING
I	A2-26005FD1	SCREW MACHINE
J	P3-03000BAL	WASHER FLAT
K	B5-20005FD	SCREW MACHINE

No.108 TV45GX parts list

* REAR FRAME

No.1	80-B0201	SQUARE FRAME
2	80-D0203	FRAME COVER B
3	83-D0203	COVER BOLT II B
4	80-D0211	PRESS BOARD SPRING
5	80-D0212	PRESS BOARD PIN
6	83-D0202	GUIDE BUSHING GB
7	80-D0215	GUIDE BUSHING BOLT
8	80-D0216	FRAME PROTECTION
9	80-C0128	PRESS BOARD II
10	80-D0207	TILT PIN
11	80-D0204	TILT BRAKE BOARD (LEFT)
12	80-D0205	TILT BRAKE BOARD (RIGHT)
13	90-C0209	LEVEL
14	80-D0217	SCREW,LEVEL
A	P4-030605FG	WASHER FLAT
B	S1-02400FP1	NUT, BUSHING
C	Q6-02006FG1	PIN
D	A2-26005FD1	SCREW MACHINE



THE
 UNIVERSITY OF
 CHICAGO
 LIBRARY



UNIVERSITY OF CHICAGO LIBRARY
 5408 S. UNIVERSITY AVE. CHICAGO, ILL. 60637



No.108 TV45GX parts list

* LENSBOARD

No.1	101-4001	LENSBOARD 101
2	101-4002	TOYO MARK







No.114 TV45GII PARTS LIST

* BELLOWS

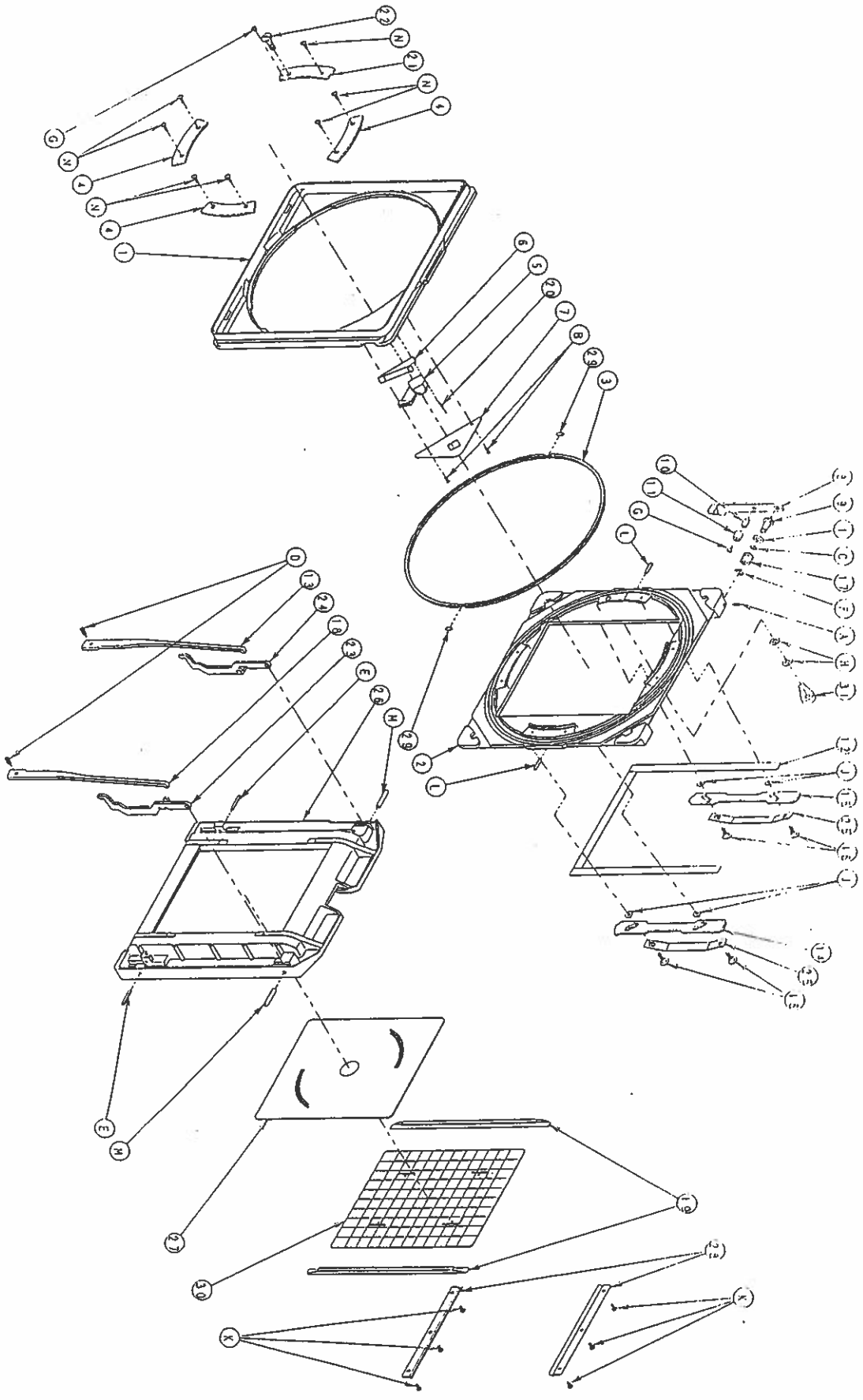
No.1	101-5001	BELLOW FRAME BOARD 101
2	101-5002	BELLOW PRESS BOARD 101
3	101-5003	BELLOWS 101
A	B5-20008FD	SCREW MACHINE
B	B5-20005FD	SCREW MACHINE

No.108 TV45GX parts list

* BELLOWS

No.1	101-5001	BELLOW FRAME BOARD 101	—
2	101-5002	BELLOW PRESS BOARD 101	—
3	101-5003	BELLOWS 101	
A	B5-20008FD	SCREW MACHINE	—
B	B5-20005FD	SCREW MACHINE	—

* CAMERA BACK



品名	カメラバック
品番	100-50
製造	昭和35年11月10日
検査	橋山
材料	Y45GX
仕様	
備考	



No.108 TV45GX parts list

* CAMERA BACK

No.1	80-B0501	REVOLVING BASE
2	80-B0502	FRAME II, FOCUSING
3	80-D0503	LIGHT-BLOCK RING
4	80-D0504	FOCUSING FRAME BOARD
5	80-D0505	REVOLVING CLICK
6	80-D0506	SPRING, REVOLVING CLICK
7	80-D0507	COVER, CLICKING
8	80-D0508	LEVER ARM II
9	80-D0509	SHAFT, LEVER ARM
10	80-D0510	PIN, LEVER ARM ROLLING
11	80-D0511	LEVER ARM ROLLING
12	80-D0512	VELVET 45
13	80-D0513	SPRING PLATE, GLASS FRAME(RIGHT)
14	80-D0514	PRESS BOARD, FOCUSING FRAME(LEFT)
15	80-D0515	PRESS BOARD, FOCUSING FRAME(RIGHT)
16	80-D0516	PIN, FOCUSING FRAME PRESS BOARD
17	80-D0517	LEVER ARM SHAFT COLLAR
18	80-D0522	SPRING PLATE, GLASS FRAME(LEFT)
19	80-D0524	FOCUSING GLASS GUIDE II
20	80-D0543	REVOLVING CLICK SPACER B
21	80-D0529	REVOLVING BRAKE BOARD
22	80-D0530	BOLT, REVOLVING BRAKE BOARD
23	80-D0532	FOCUSING FRAME DETACHING ARM II(LEFT)
24	80-D0533	FOCUSING FRAME DETACHING ARM II(RIGHT)
25	80-D0534	SPRING BOARD, FOCUSING FRAME PRESS BOARD
26	80-B0537	FOCUSING FRAME III
27	80-D0538	FRESNEL LENS
28	80-D0539	FOCUSING GLASS PRESS BOARD
29	80-D0541	RUBBER, LIGHT-BLOCK RING
30	80-D0542	FOCUSING GLASS II
31	16-D0217	BACK SWING KNOB(LEFT)
A	E5-30005FQ	ALLEN HD. BOLT
B	A2-17004FD3	SCREW MACHINE
C	V2-03670LX2	O-RING
D	E1-30006FQ	ALLEN HD. BOLT
E	Q6-02014FQ2	PIN
F	T6-03000FA	E TYPE STOPPING RING
G	C1-20035FD2	SCREW MACHINE(SPECIAL)
H	P4-040805FA	WASHER FLAT
I	P4-040803BA	WASHER FLAT
J	P4-260603BA	WASHER FLAT
K	B5-20004FD	SCREW MACHINE
L	Q4-02010SX1	PARALLEL PIN
M	Q4-03016SX1	PARALLEL PIN
N	B5-20005FD	SCREW MACHINE

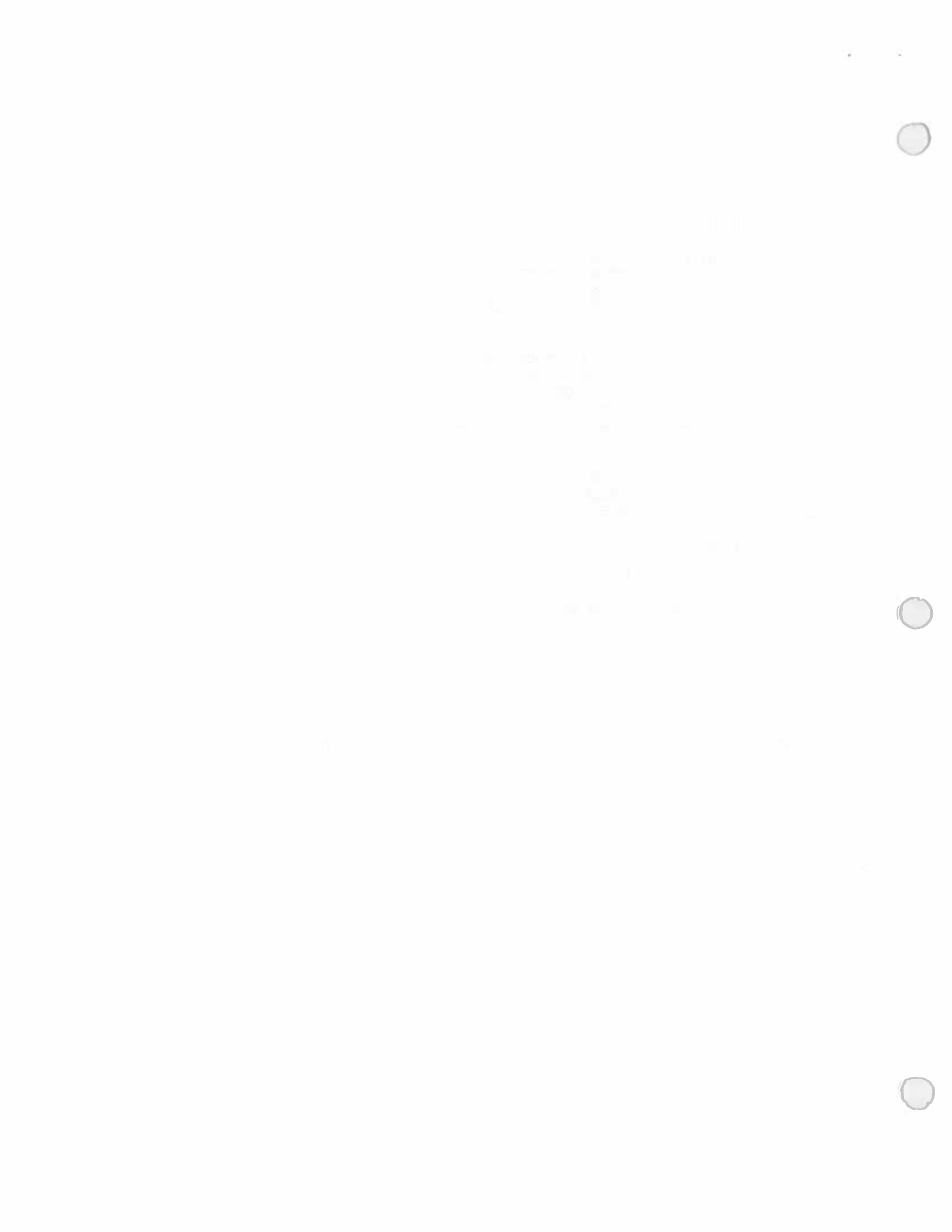




No.108 TV45GX parts list

* MONORAIL

No.1	80-D0705	KEY 250
2	80-D0707	SHAFT
3	80-C0711	SLEEVE
4	80-C0716	REFERENCE SCALE 250
5	80-D0720	SPRING, SHAFT
6	80-C0727	PROTECTION CAP II
7	83-C0701	RAIL 250 B
8	83-D0703	SHAFT RECEIVER B
9	83-D0703	PIN, SHAFT RECEIVER B
10	101-8001	EXTENSION RAIL
11	101-8002	EXTENSION RAIL KEY
12	101-8003	GUIDING KEY
13	101-8004	KNOB, SHAFT RECEIVING
14	101-8005	WASHER
15	101-8007	END CAP
16	101-7001	RUBBER RING, END CAP
A	X1-0615DS	HELISERT
B	P6-06000FA	WASHER
C	N4-6000FA	NUT
D	G1-26008FA2	SCREW MACHINE
E	Q6-02006FG1	PIN
F	Q4-02010SX1	PARALLEL PIN
G	E1-60012FA	ALLEN HD. BOLT
H	A2-20003FD1	SCREW MACHINE



Faint, illegible text, possibly bleed-through from the reverse side of the page. The text is arranged in several lines and appears to be a list or a set of instructions, but the characters are too light to read accurately.



No.108 TV45GX parts list

* TRIPOD MOUNTING BLOCK

No.1	80-D0803	HINGE SHAFT
2	80-D0804	BOLT
3	80-C0805	KNOB
4	80-D0810	KNOB WASHER
5	80-B0811	BLOCK BODY II
6	80-C0812	BLOCK COVER II
7	80-D0815	RESIN A
8	80-D0816	RESIN B
9	80-D0817	RESIN C



No.108 TV45GX parts list

* FOCUSING HOOD

No.1	80-B0601	FRAME, FOCUSING HOOD
2	80-D0602	PIN A, FOCUSING HOOD
3	80-D0603	SPRING, PIN A
4	80-D0604	PIN B, FOCUSING HOOD
5	80-C0605	COVER, FOCUSING HOOD
6	80-D0606	STOPPER
7	80-D0607	STOPPER SPRING
8	80-D0608	BUTTON
9	80-D0609	HOOD COVER LEATHER
10	80-D0610	HINGE SHAFT
11	80-D0611	SPRING LEFT, HOOD OPENING
12	80-D0612	SPRING RIGHT, HOOD OPENING
13	80-D0613	SPRING PLATE, BELLOWS
14	80-D0614	SHAFT, BELLOWS
15	80-D0615	PIN, SPRING PLATE
16	80-D0617	PRESS BOARD LEFT
17	80-D0618	PRESS BOARD RIGHT
18	80-D0620	CLICK CASE
19	80-D0621	CLICK SPRING
20	80-D0622	SPRING COLLAR
21	80-D0624	SCREW, PIN A
22	80-C0628	FOCUSING HOOD BELLOWS
23	16-D0102	TOYO MARK
A	A2-20035FD1	SCREW MACHINE
B	U3-04000FX1	METAL BALL
C	P3-02000BAL	WASHER FLAT

1. The first part of the document discusses the importance of maintaining accurate records of all transactions. It emphasizes that this is crucial for ensuring the integrity of the financial statements and for providing a clear audit trail.

2. The second part of the document outlines the specific procedures that should be followed when recording transactions. It details the steps from identifying the transaction to posting it to the appropriate ledger account.

3. The final part of the document provides a summary of the key points discussed and offers some concluding remarks on the importance of diligent record-keeping.